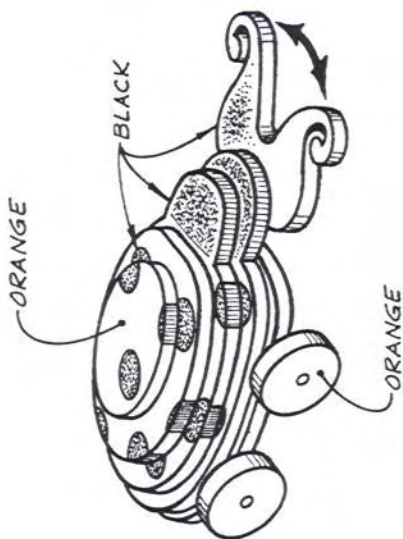
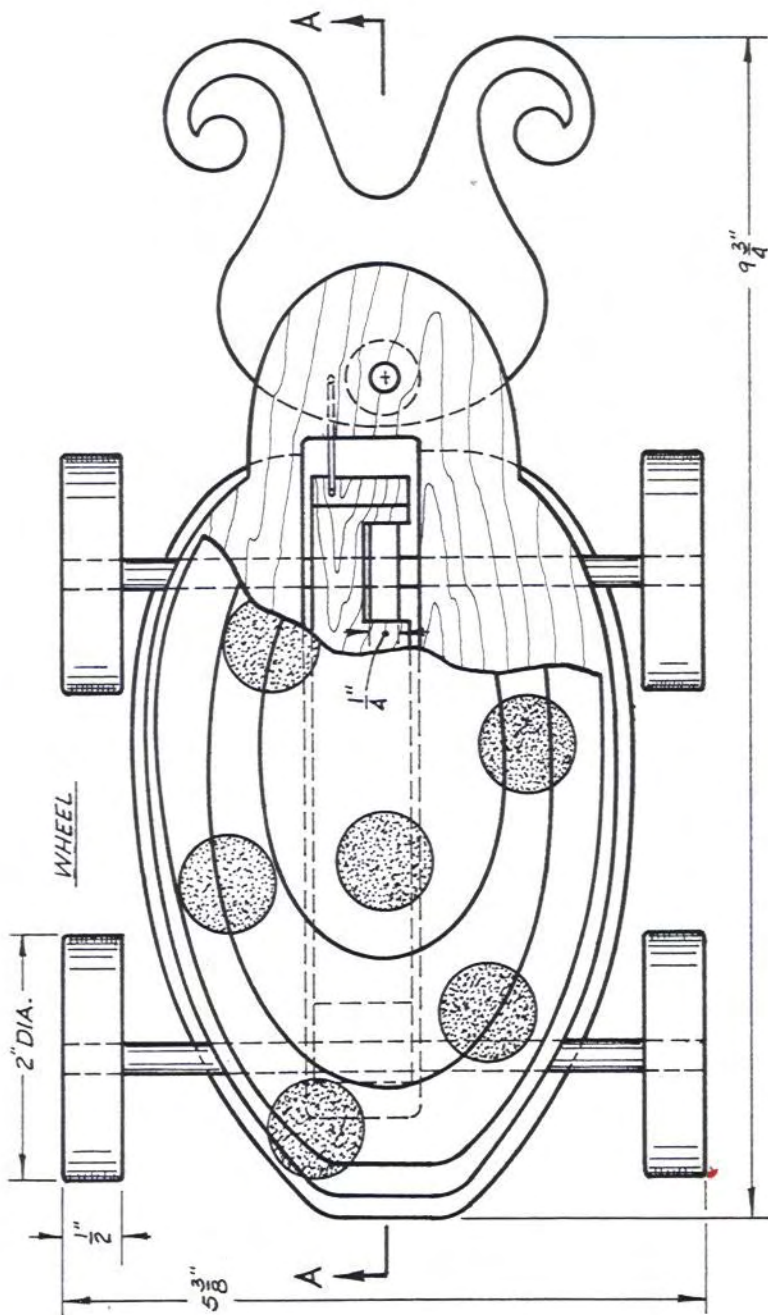
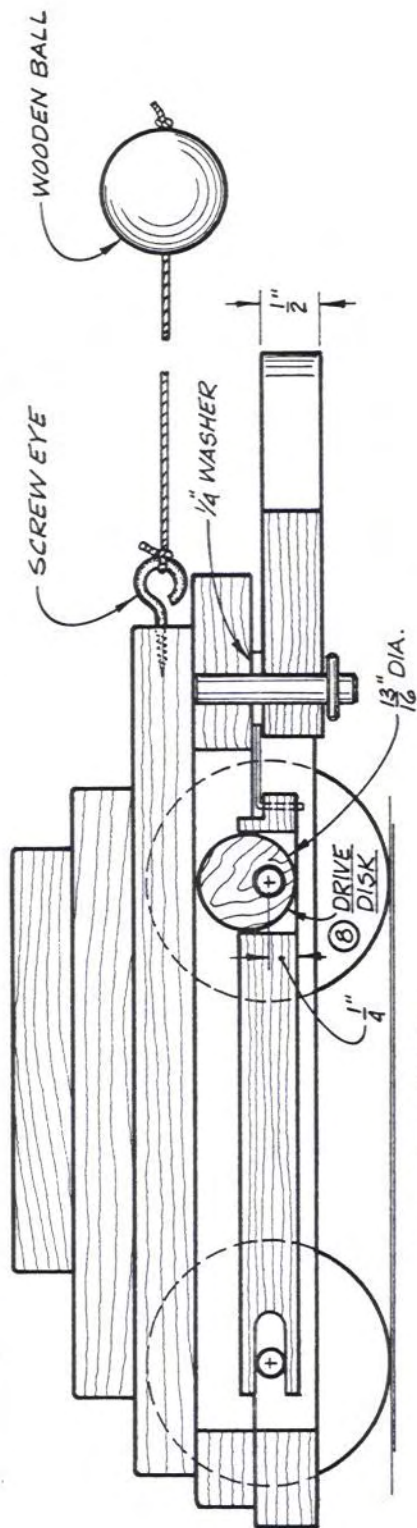
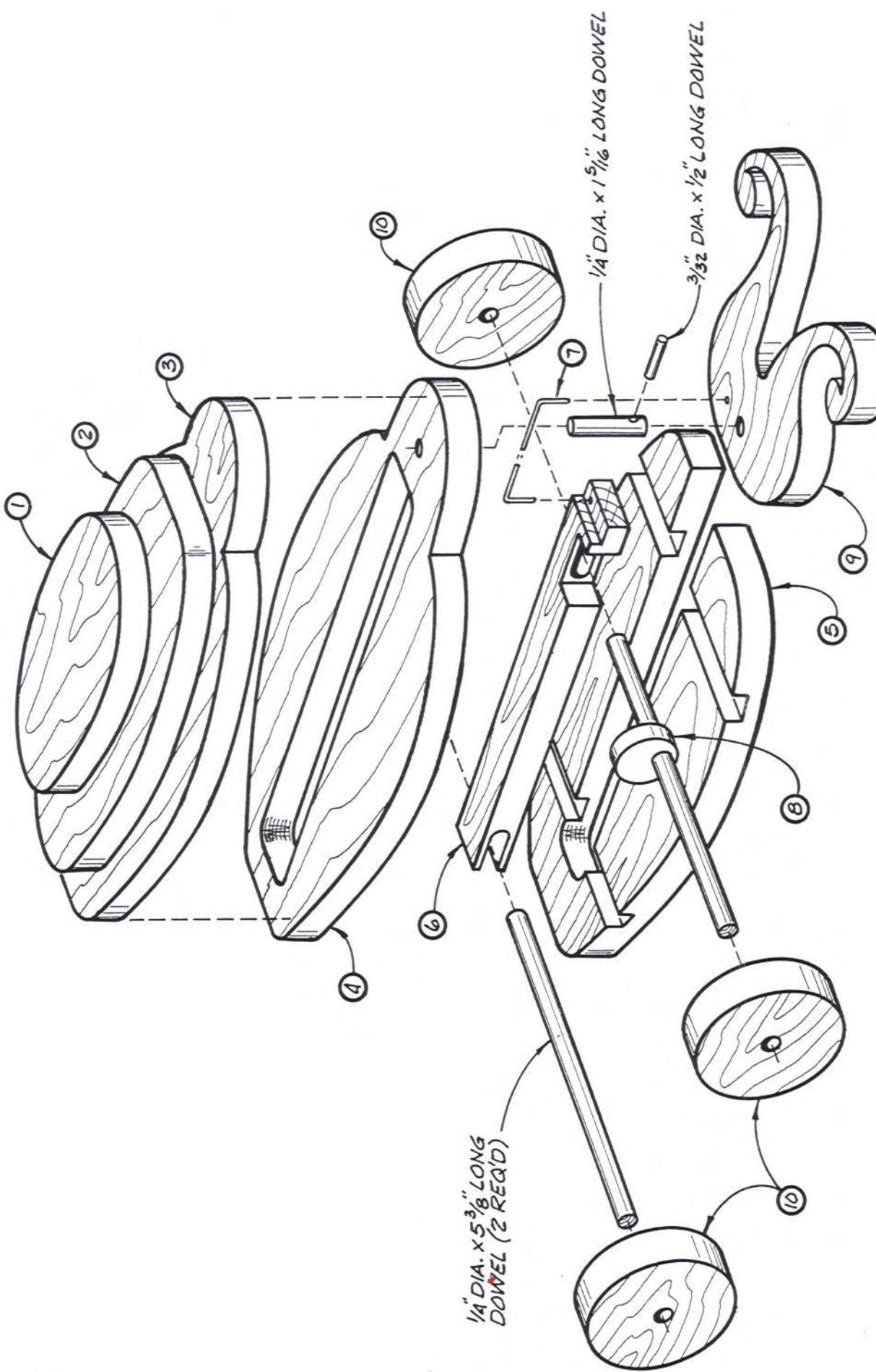


BEETLE



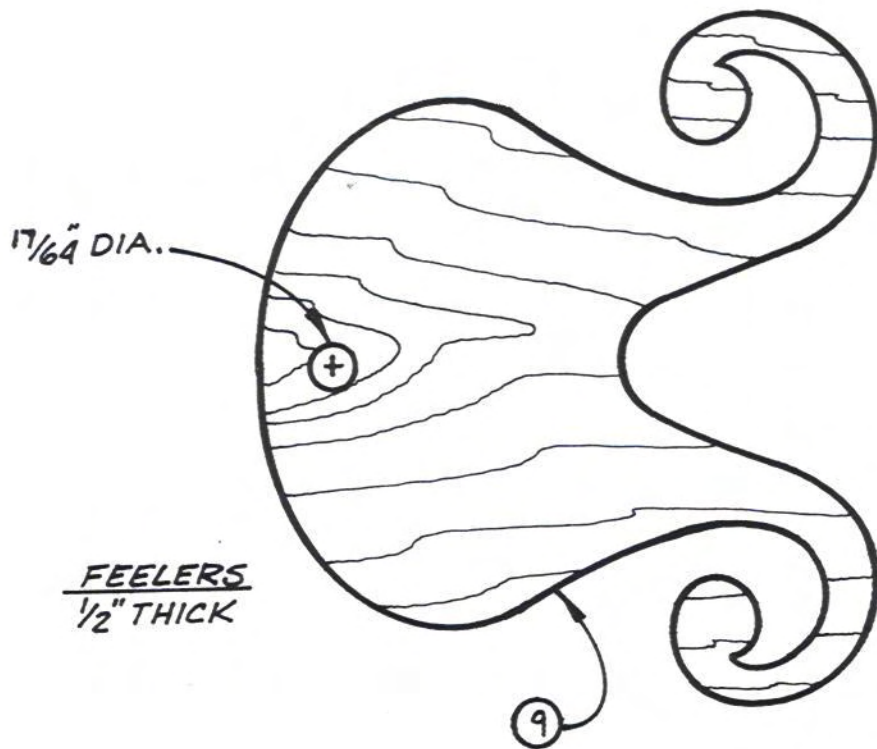
TOY'S ACTION
 ROLLING MOTION CAUSES THE
 BEETLE'S FEELERS TO MOVE
 FROM SIDE TO SIDE



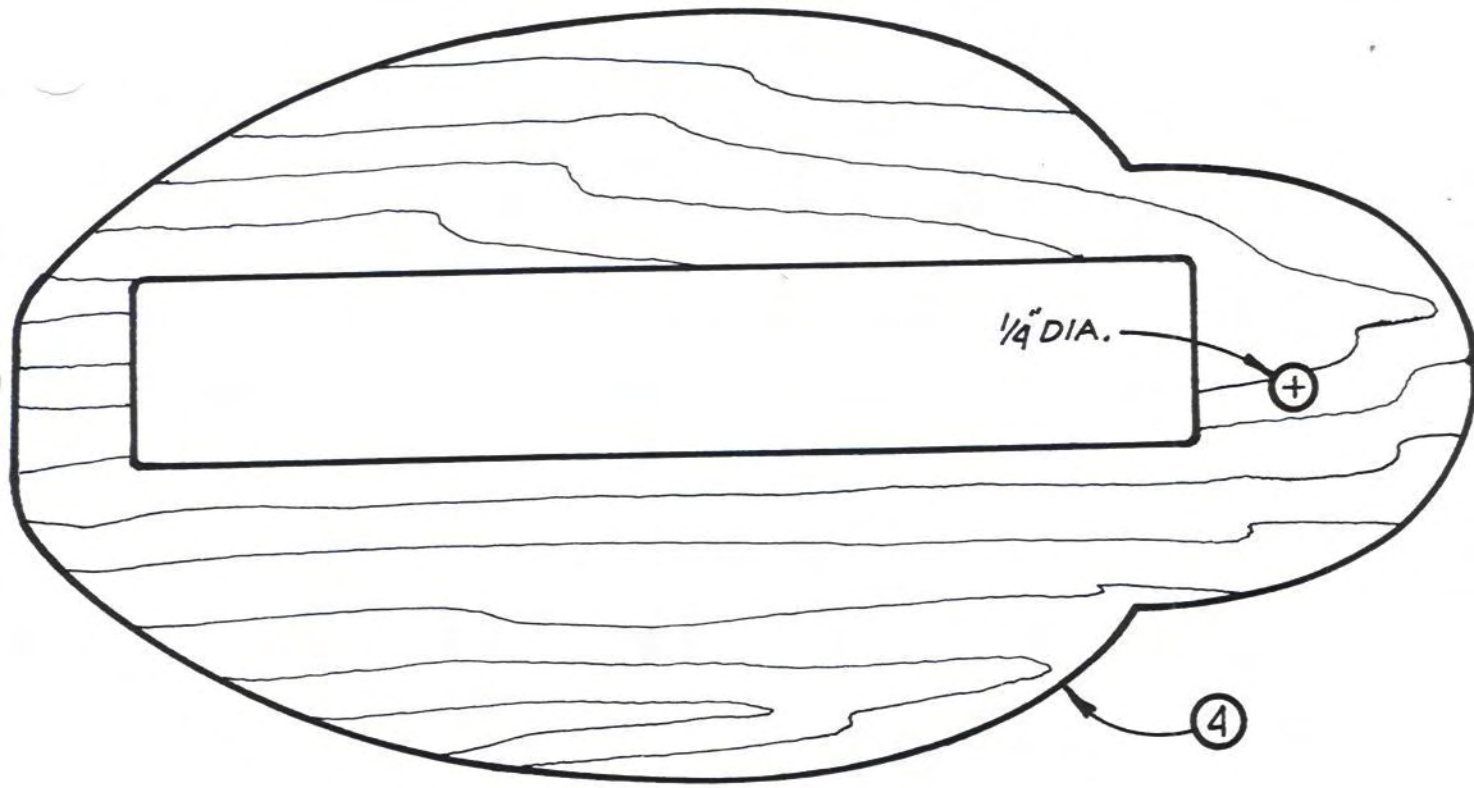
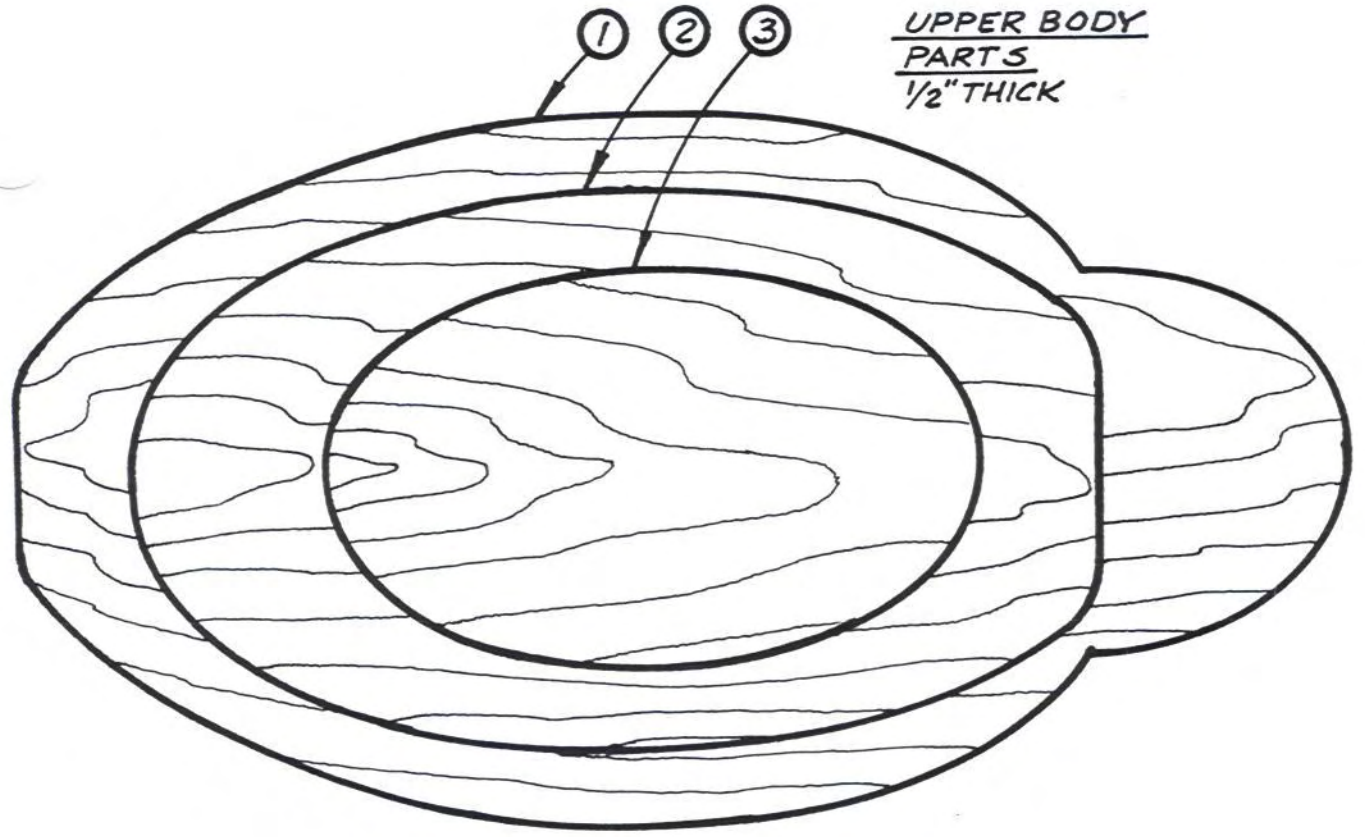


BEETLE

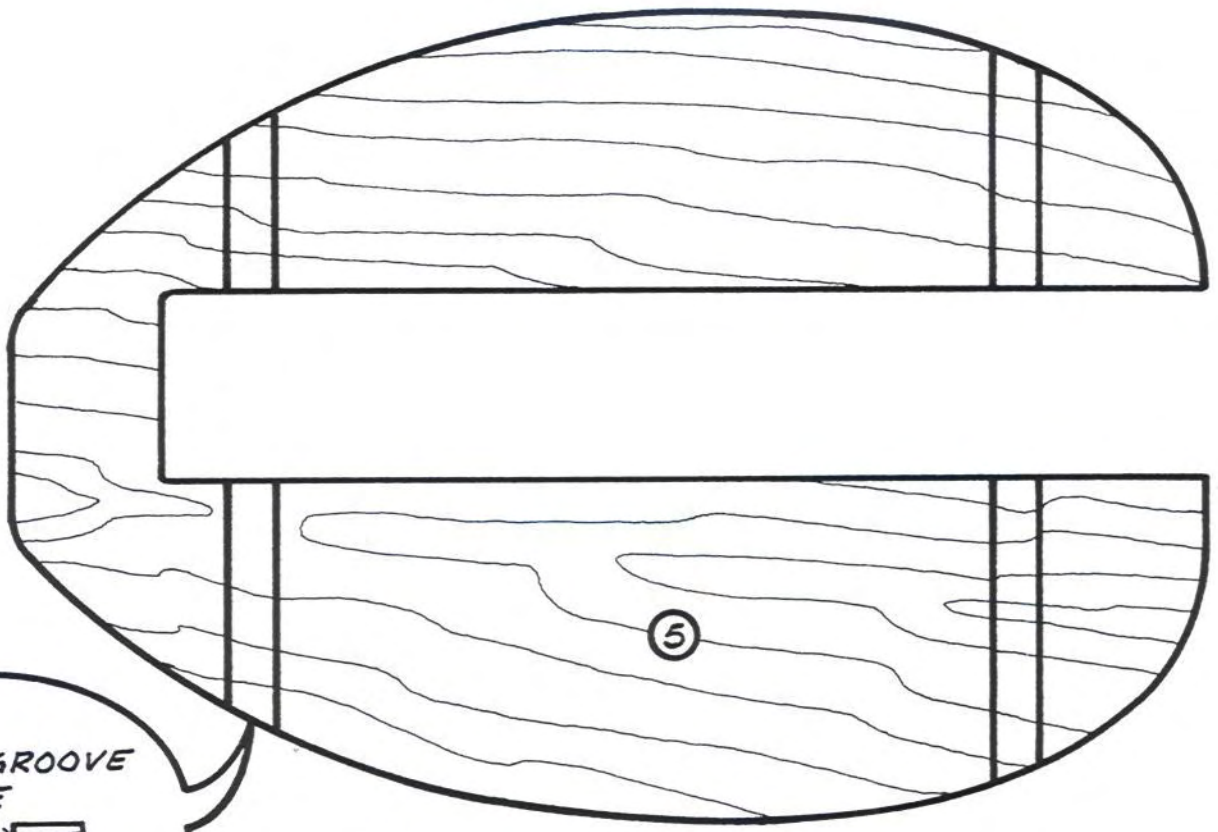
FULL-SIZE PATTERNS



UPPER BODY
PARTS
1/2" THICK



MIDDLE BODY
1/2" THICK

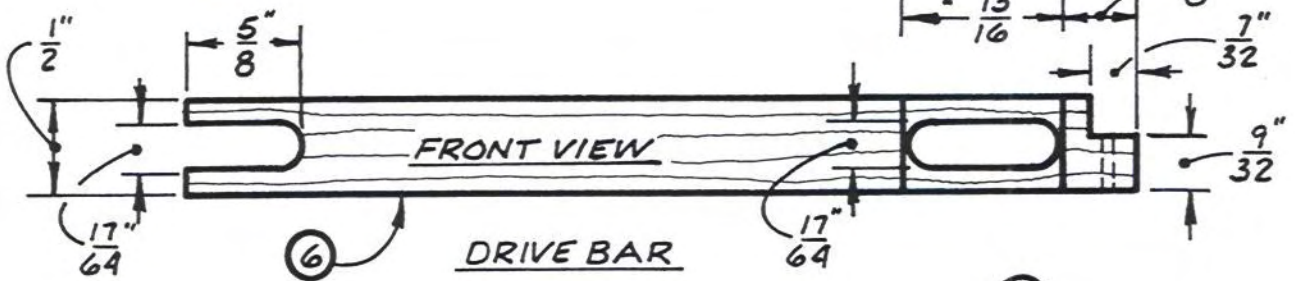
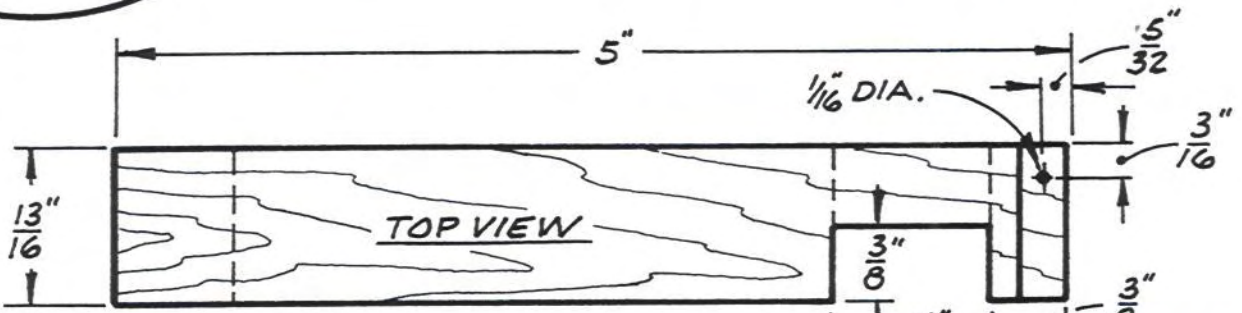


5

LOWER BODY
1/2" THICK

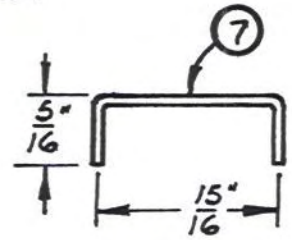


17/64" DIA. GROOVE
FOR AXLE



6

DRIVE BAR



7

DRIVE ROD
3/64" DIA. MUSIC WIRE

BEETLE
FULL-SIZE PATTERNS