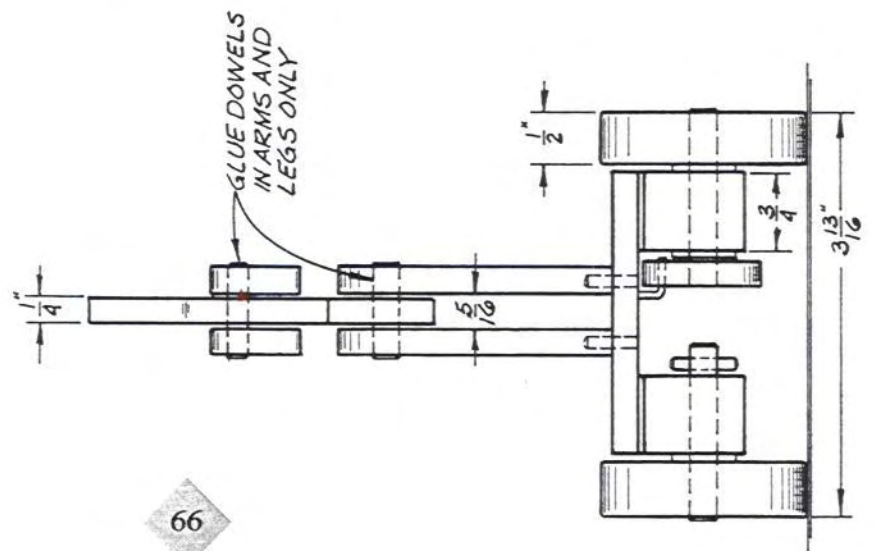
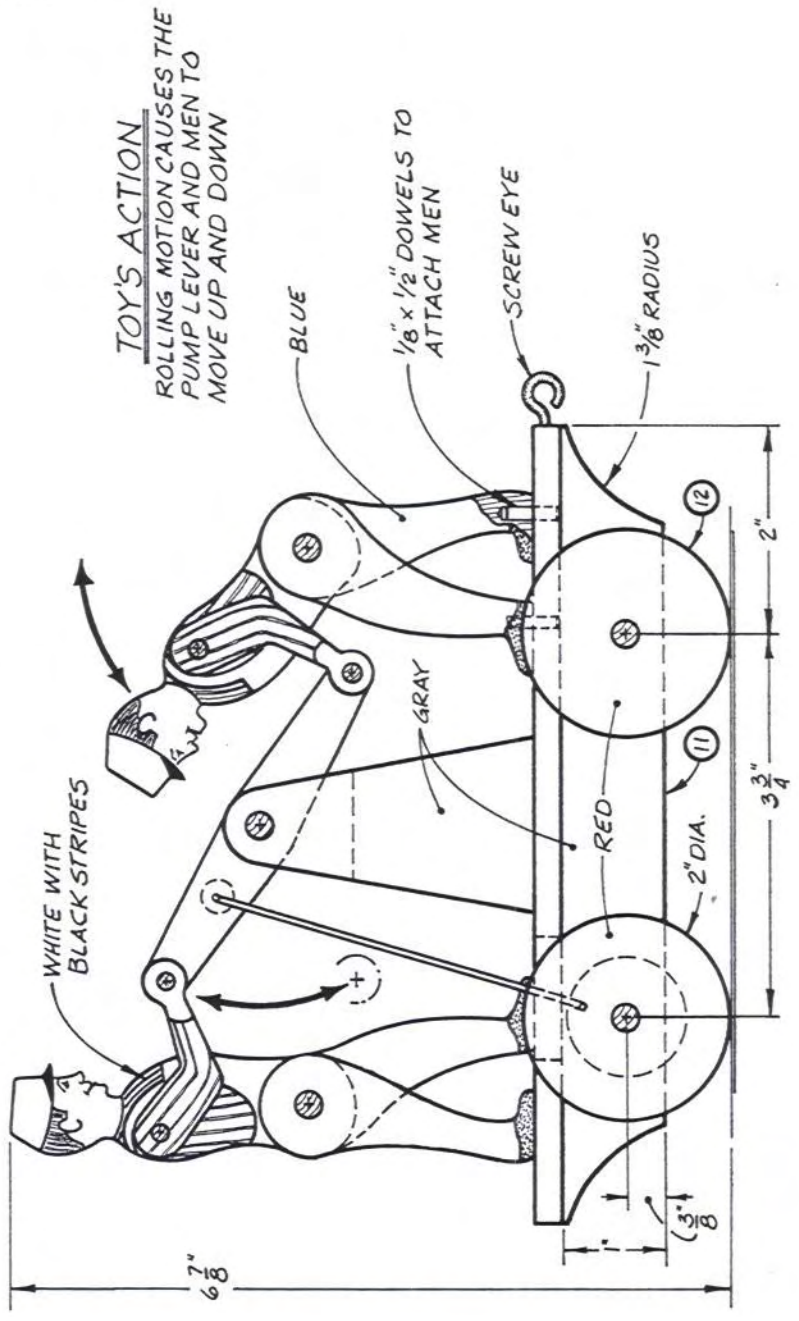
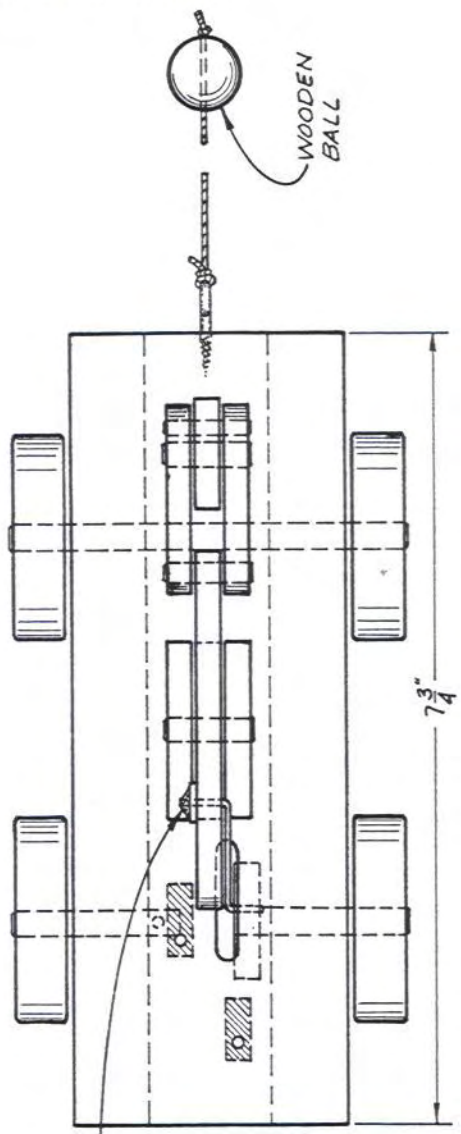
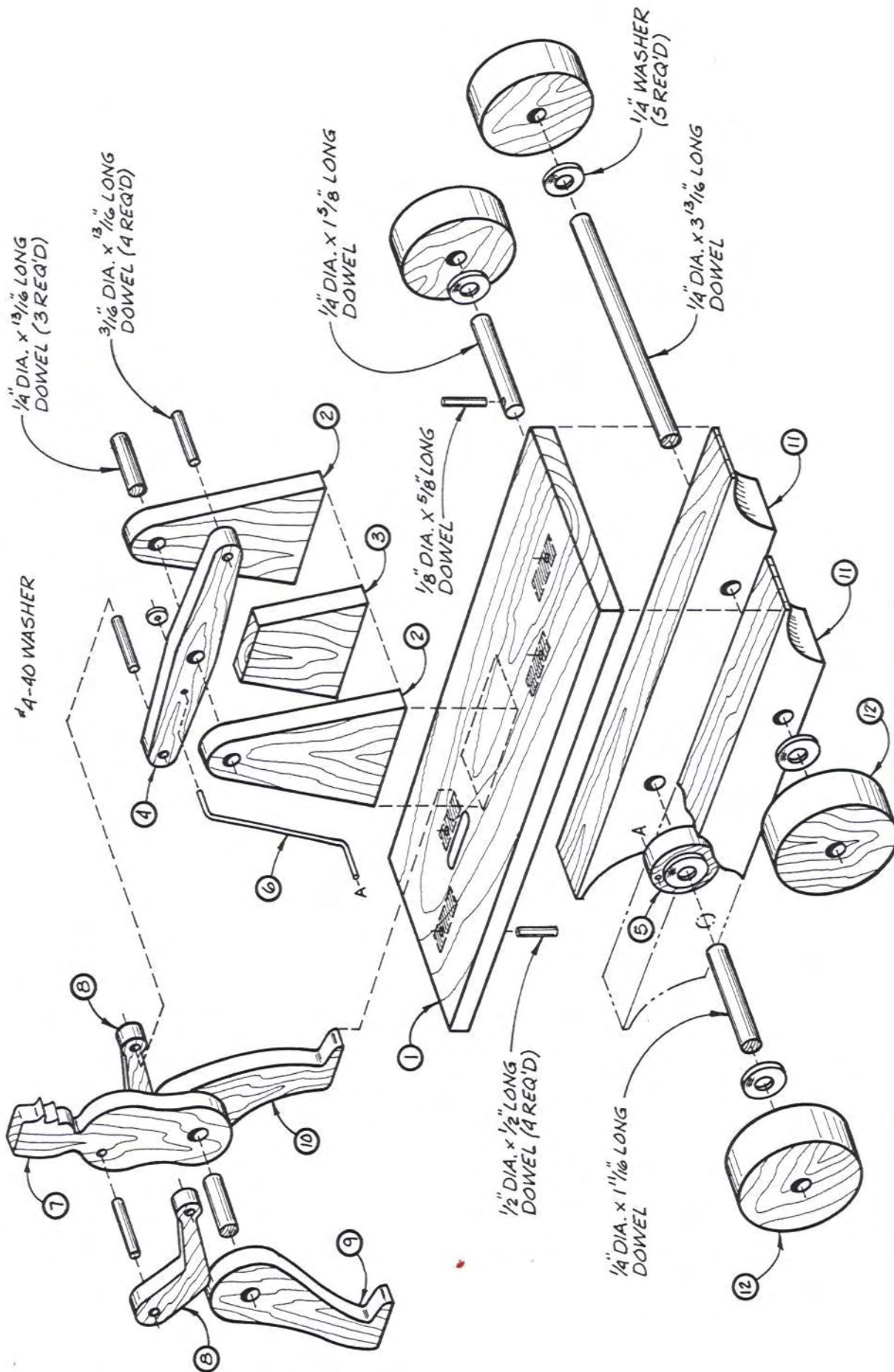


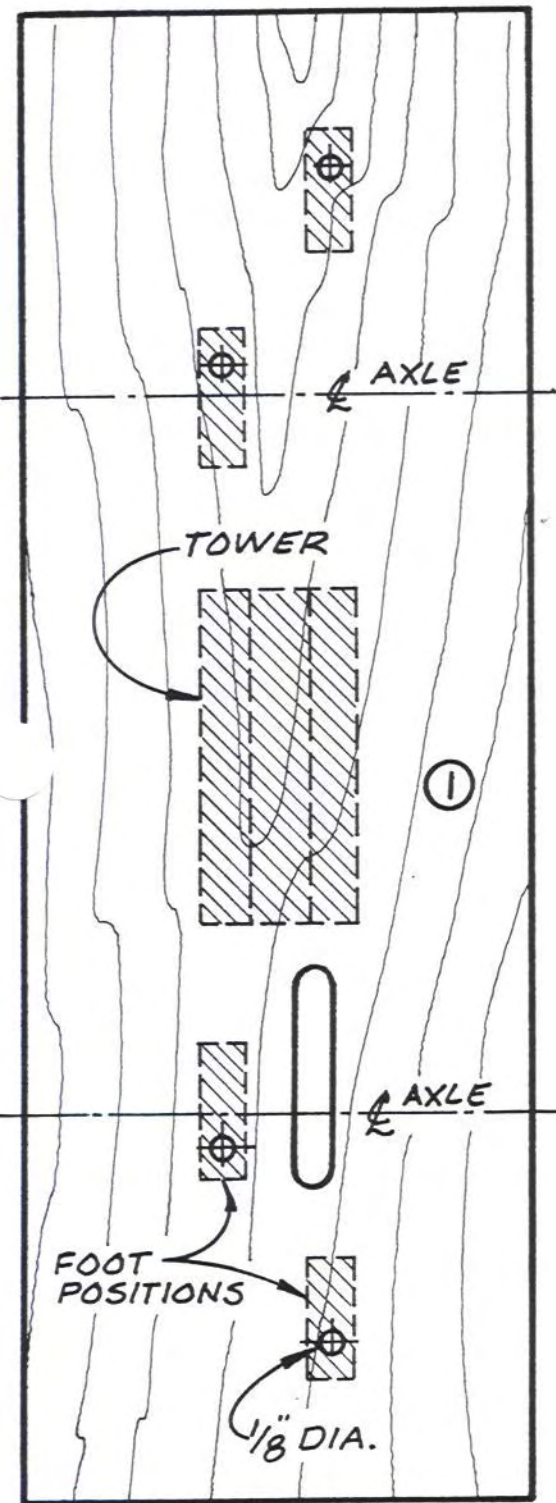
HAND-POWERED RAILCAR



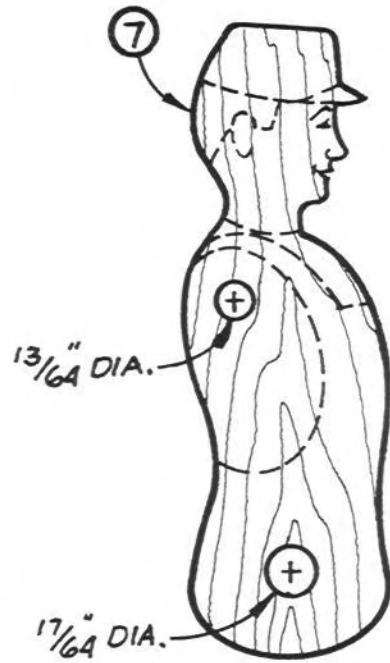


HAND-POWERED RAILCAR

FULL-SIZE PATTERNS



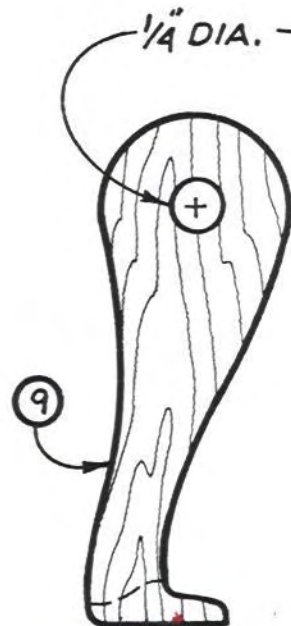
BASE
1/4" THICK



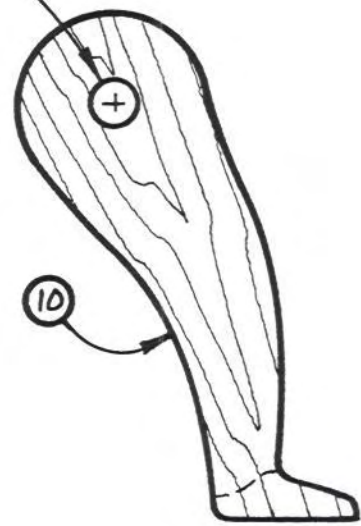
BODY
1/4" THICK (2 REQ'D)



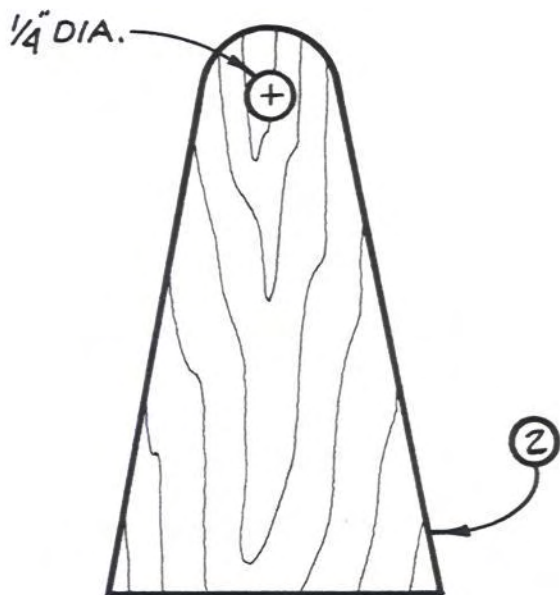
ARM
1/4" THICK (4 REQ'D)



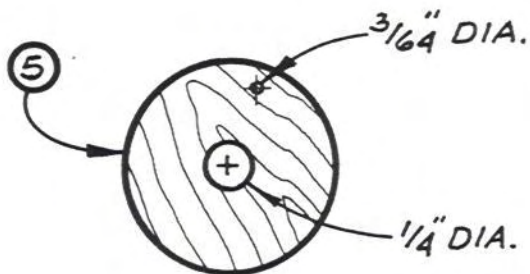
REAR FOOT
1/4" THICK (2 REQ'D)



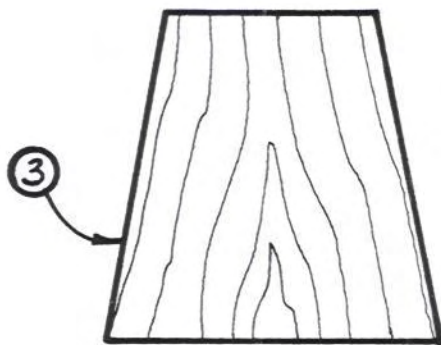
FRONT FOOT
1/4" THICK (2 REQ'D)



TOWER SIDE
1/4" THICK (2 REQ'D)

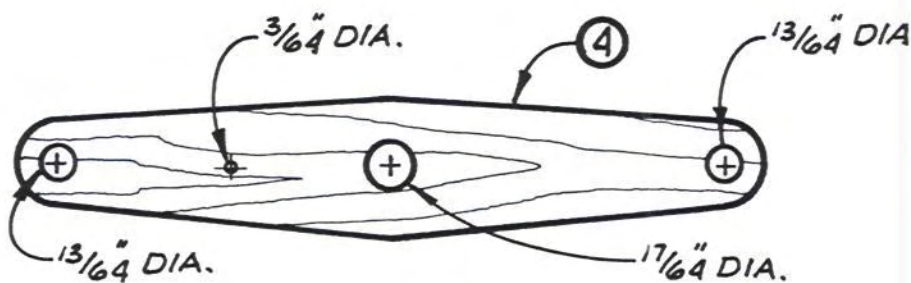


DRIVE DISK
1/4" THICK



TOWER CENTER
5/16" THICK

LEVER
1/4" THICK



DRIVE ROD
1/16" MUSIC WIRE

