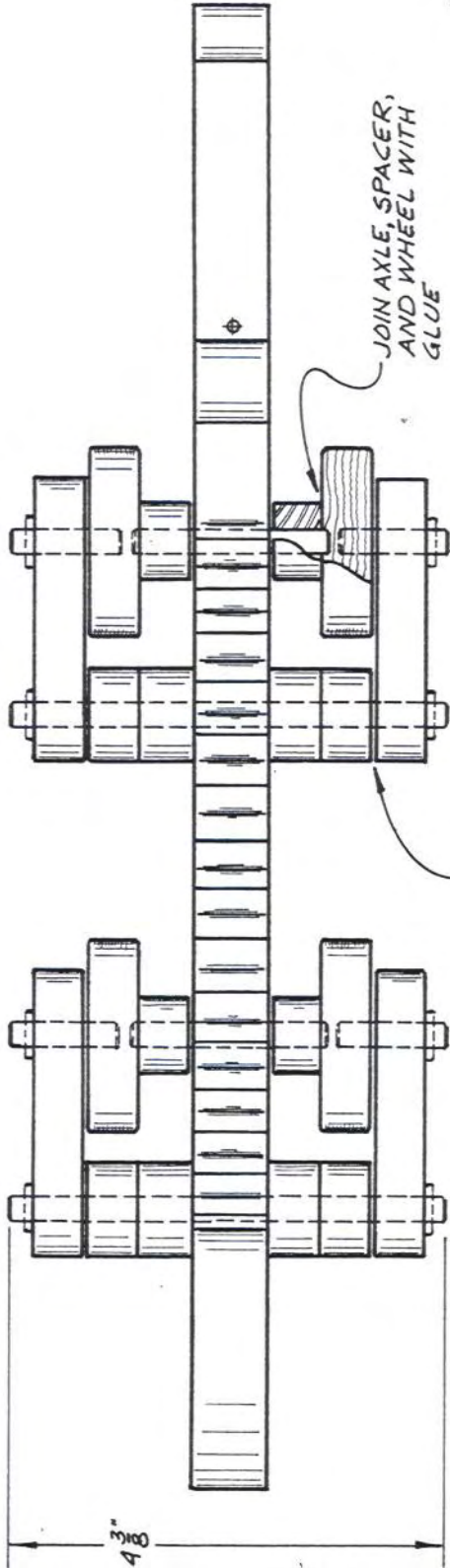


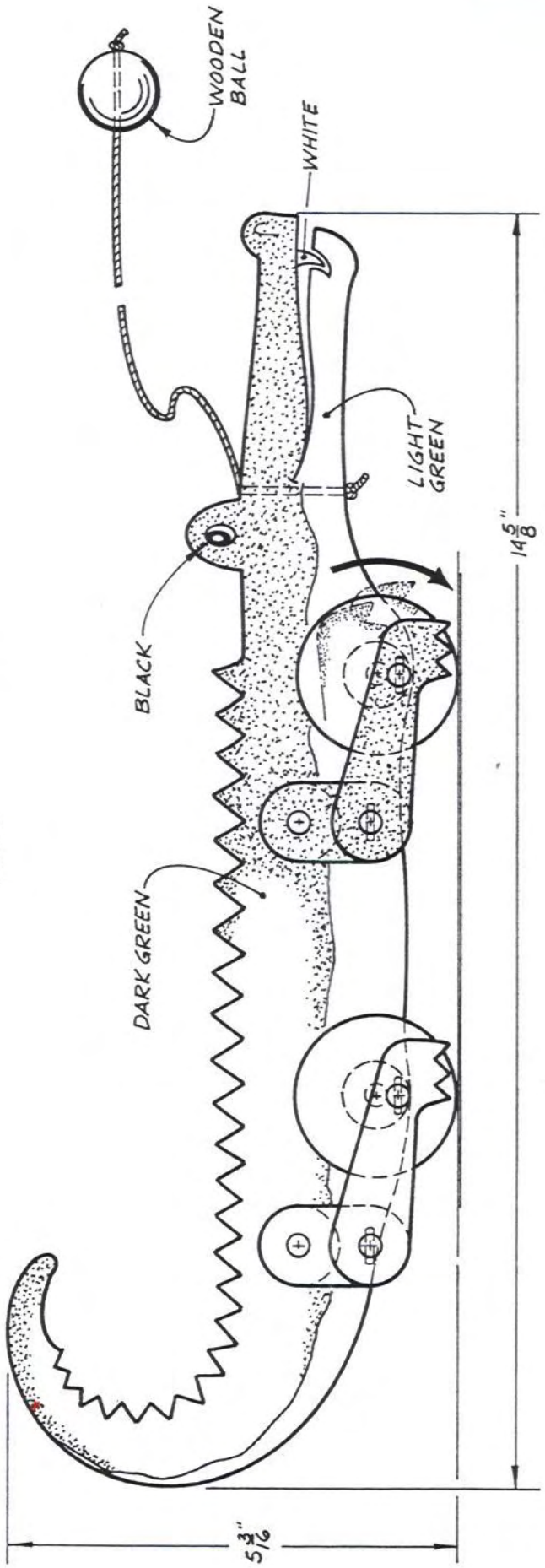
# WALKING CROCODILE

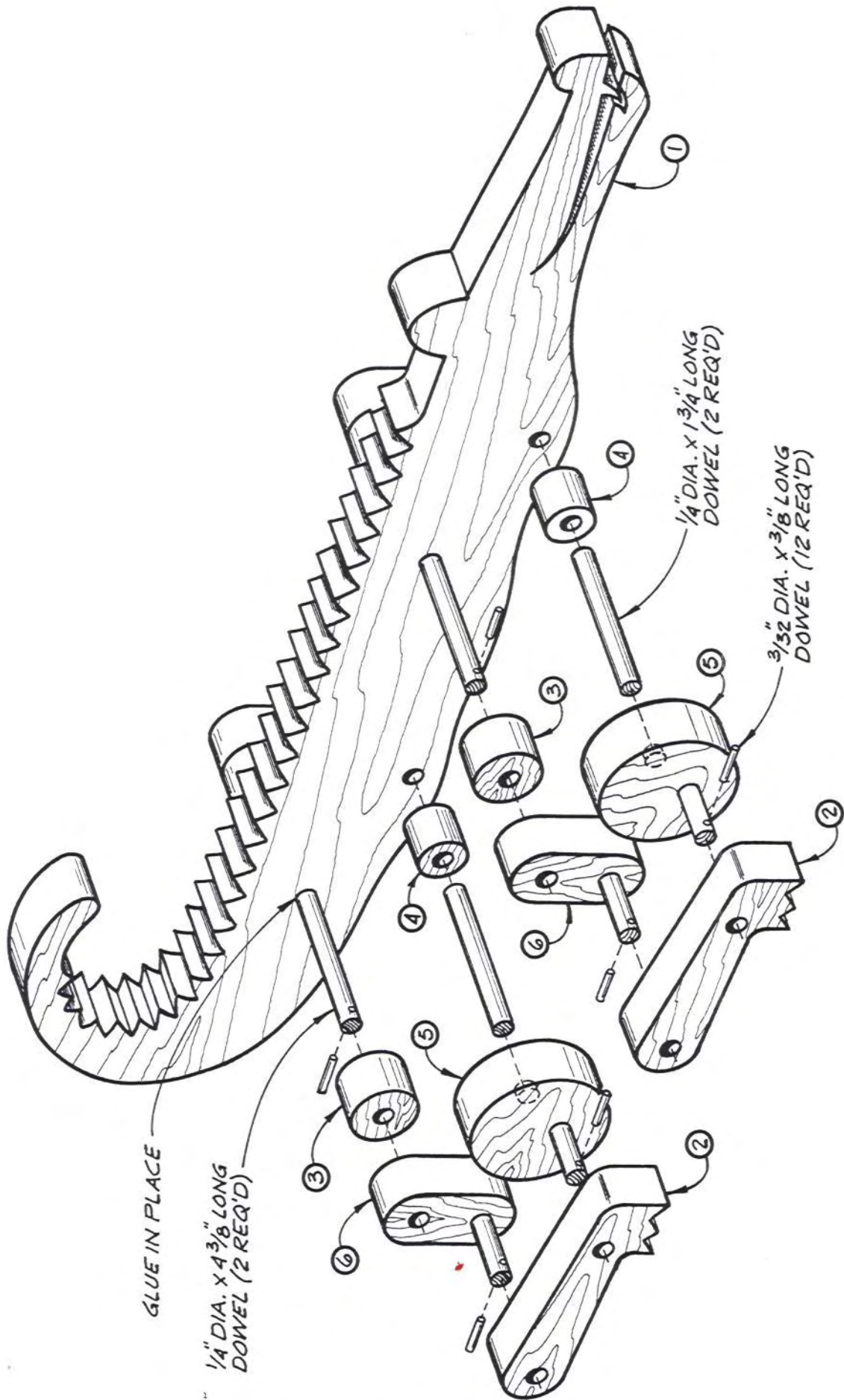


## TOY'S ACTION

ROLLING MOTION CAUSES THE LEGS TO MOVE WITH A WALKING ACTION.

ALLOW  $\frac{1}{32}$ " CLEARANCE BETWEEN MOVING PARTS



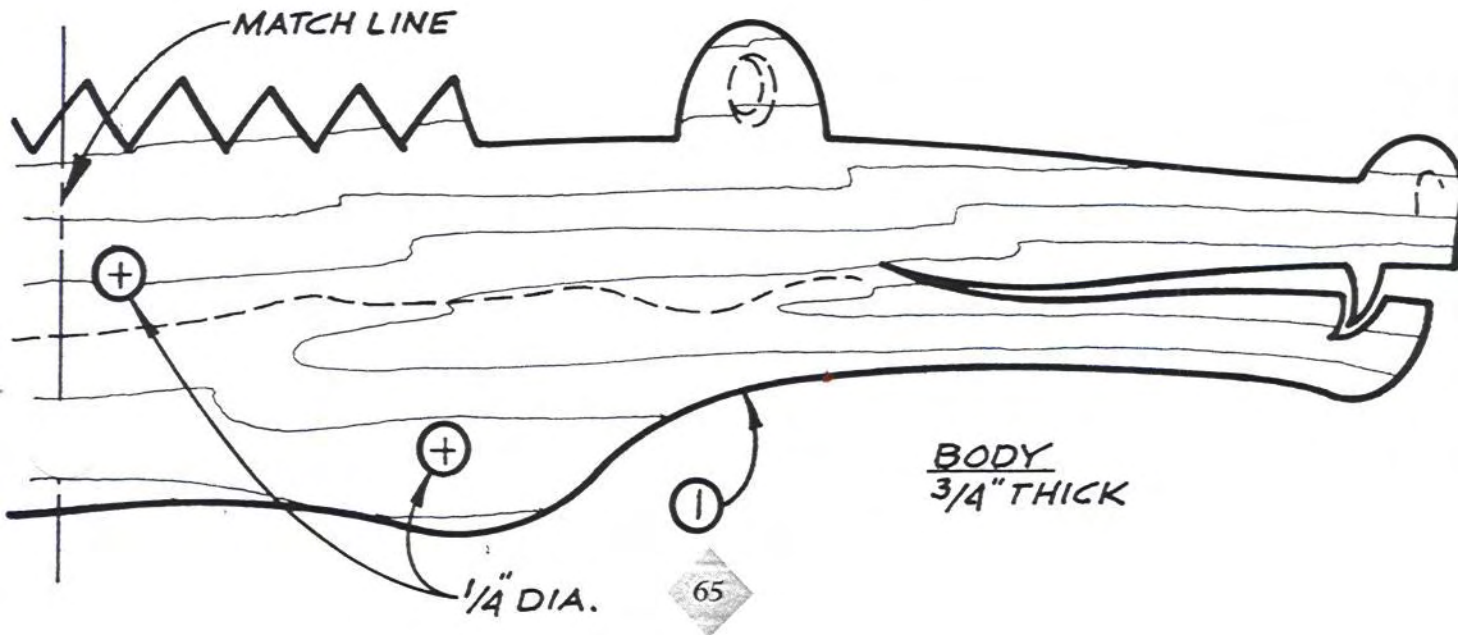
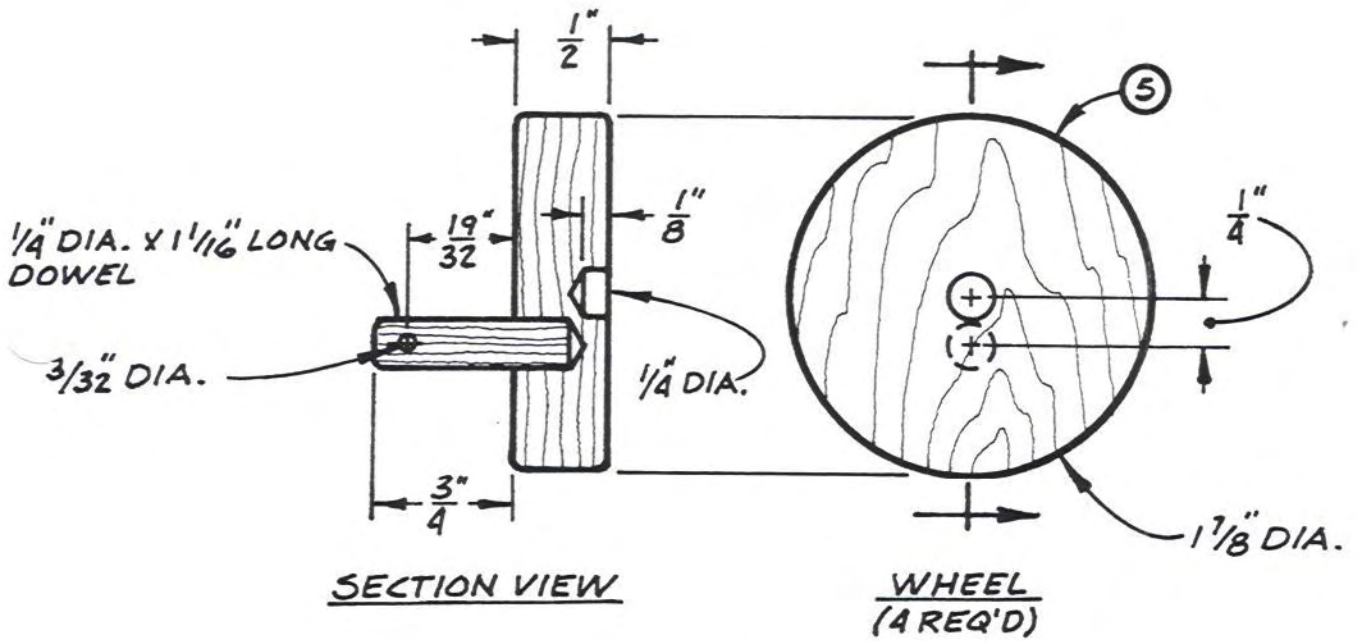
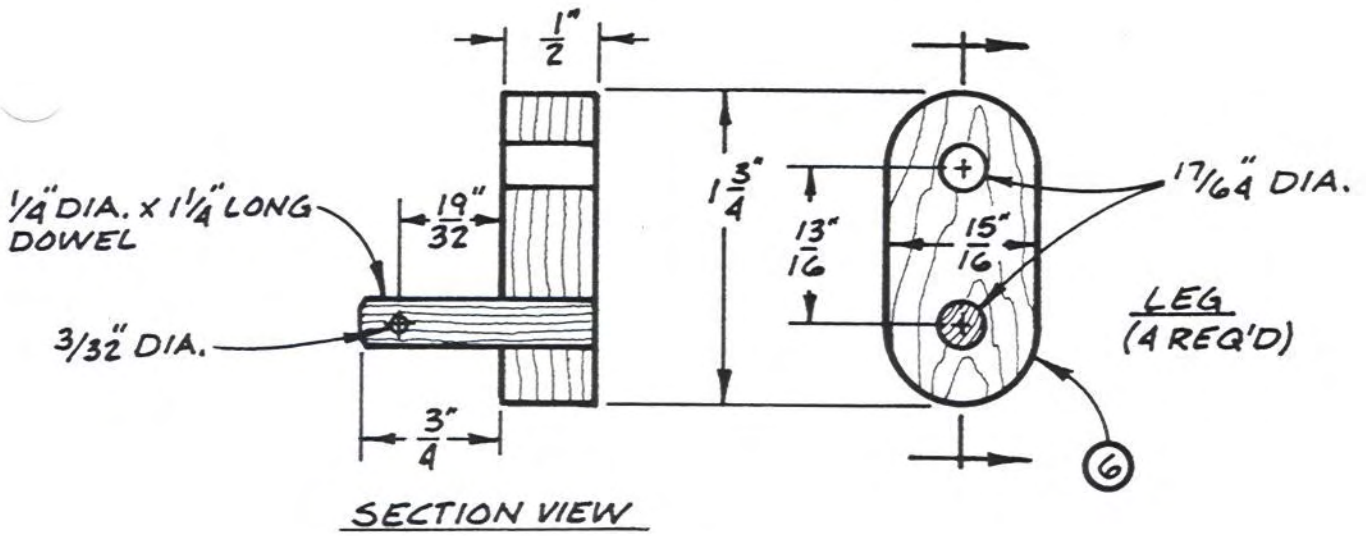


GLUE IN PLACE

1/4" DIA. X 3/4" LONG  
DOWEL (2 REQ'D)

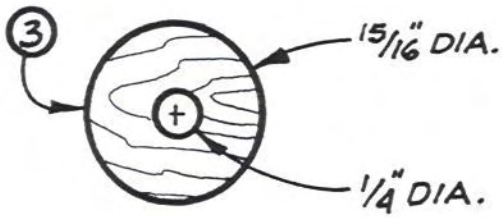
1/4" DIA. X 3/4" LONG  
DOWEL (2 REQ'D)

3/32" DIA. X 3/8" LONG  
DOWEL (12 REQ'D)

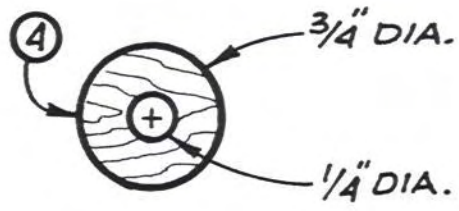


# WALKING CROCODILE

## FULL-SIZE PATTERNS



ARM SPACER  
 $\frac{1}{2}$ " THICK (4 REQ'D)



WHEEL SPACER  
 $\frac{1}{2}$ " THICK (4 REQ'D)

