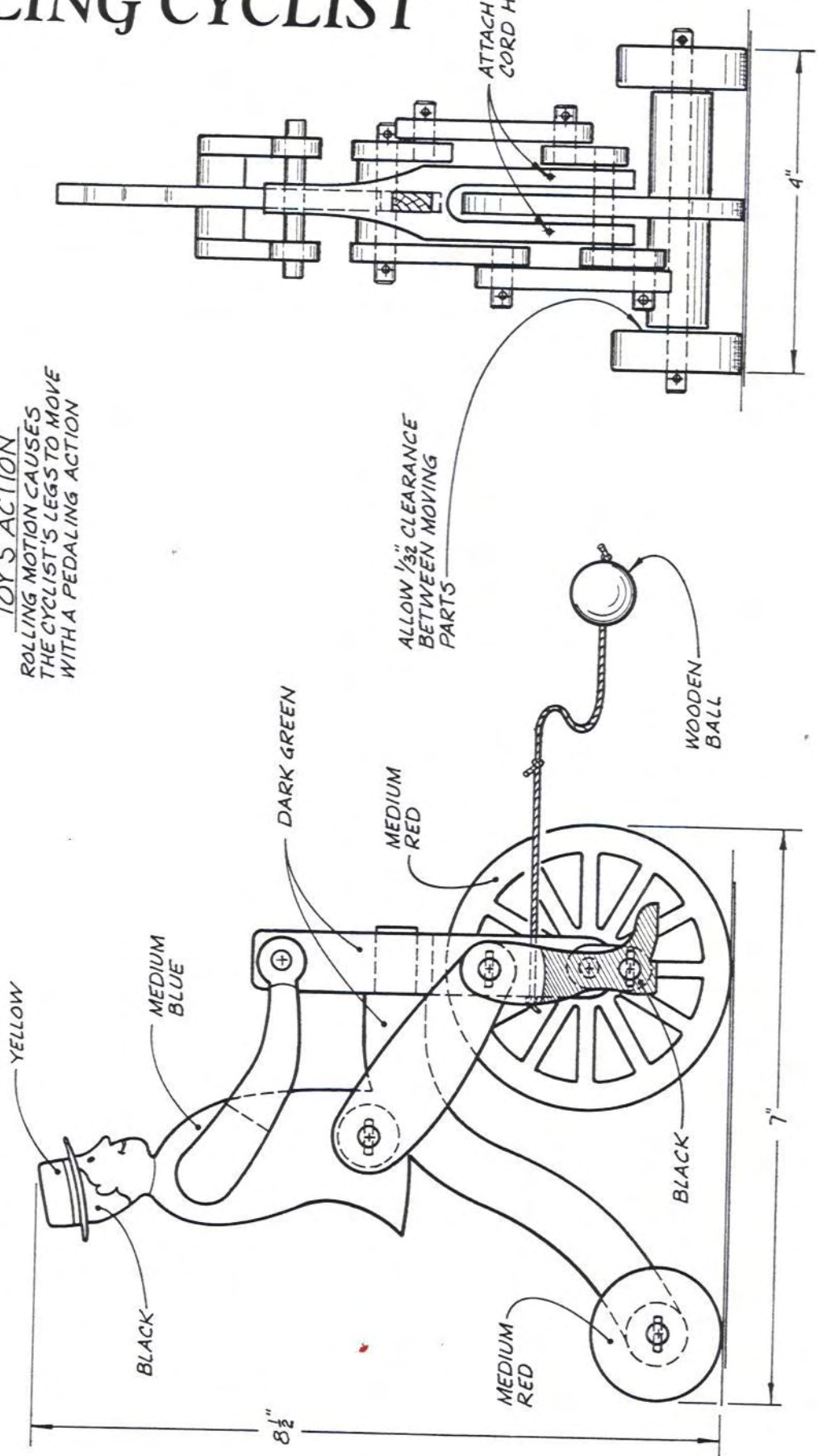
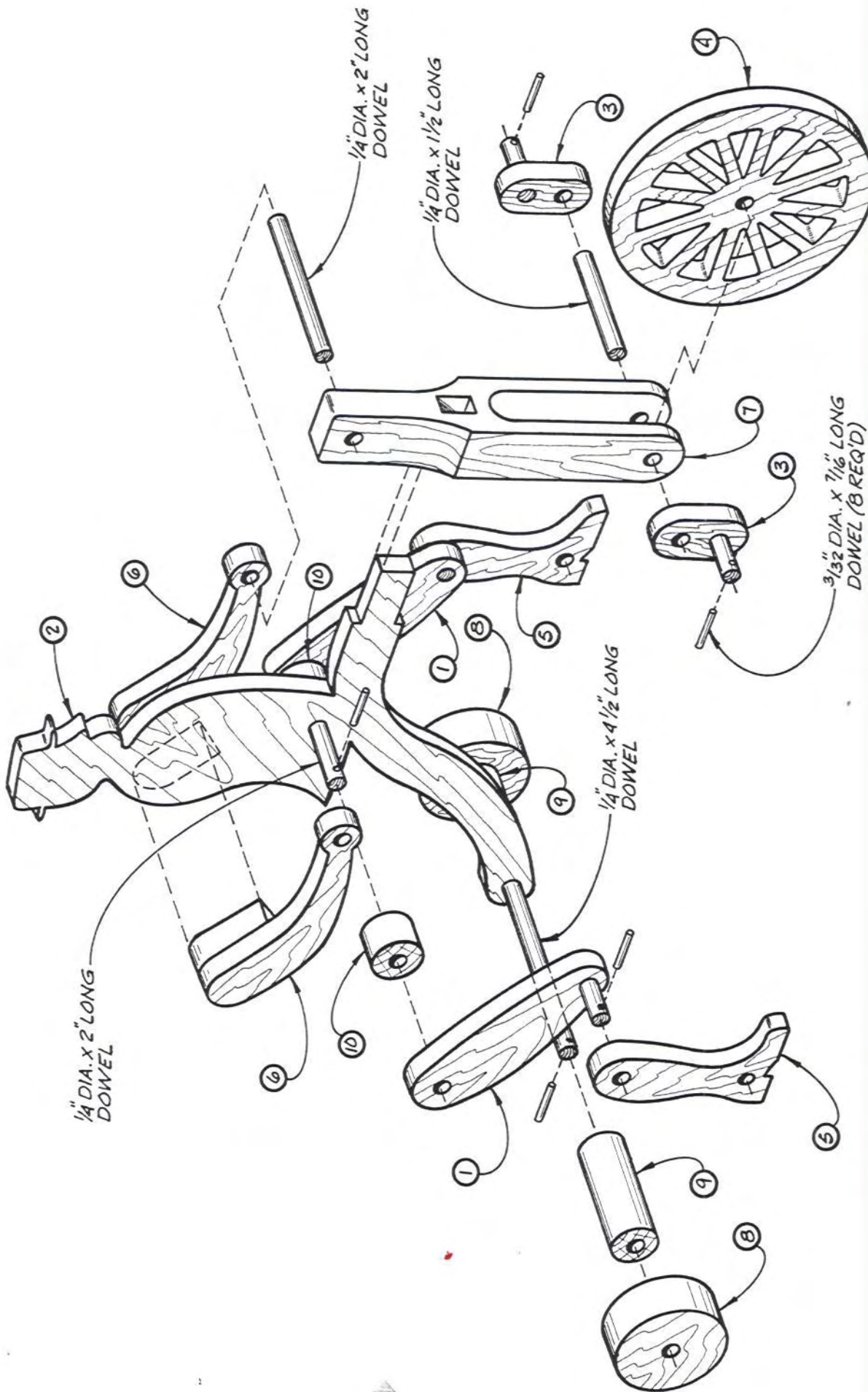


PEDALING CYCLIST

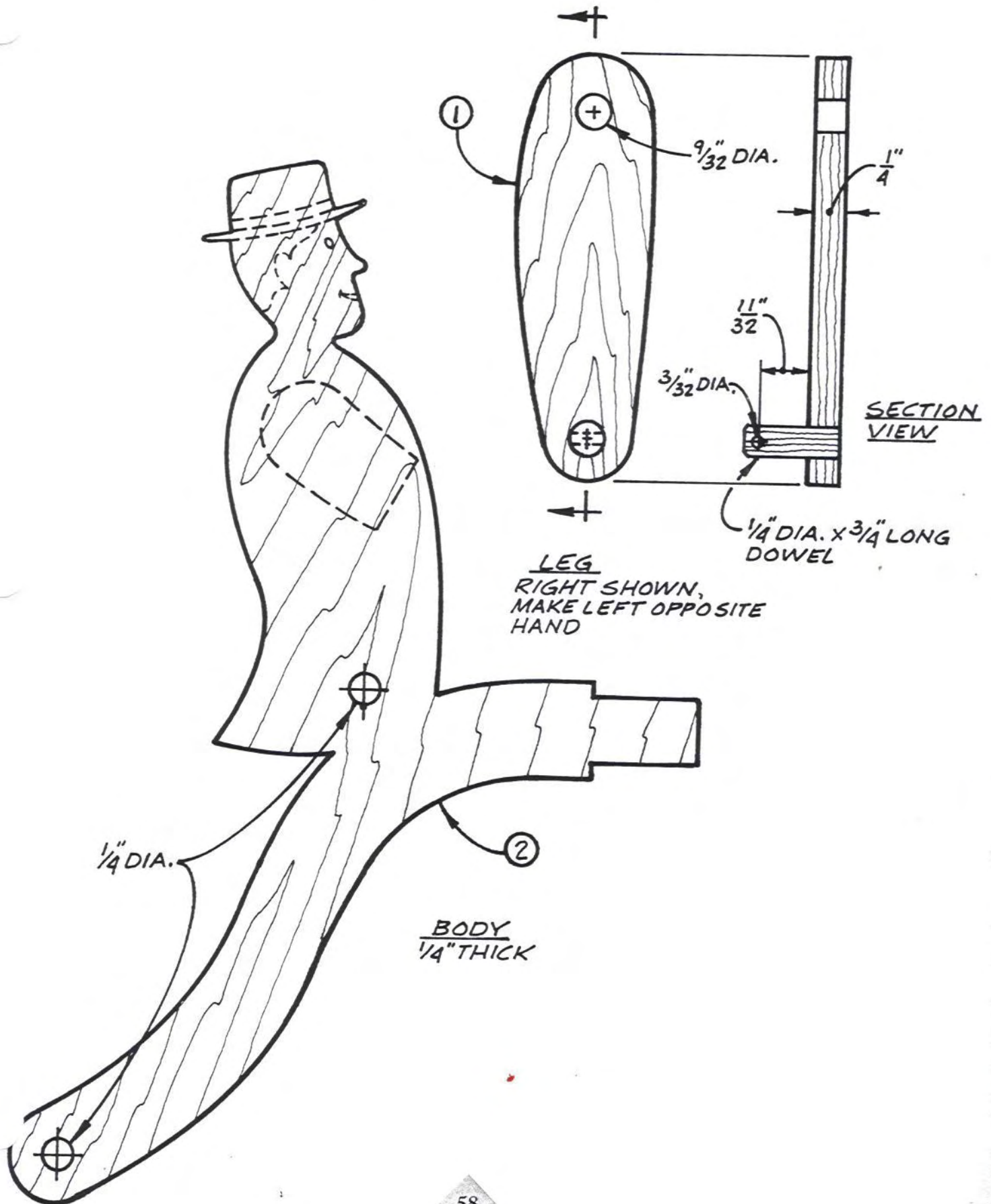
TOY'S ACTION
ROLLING MOTION CAUSES
THE CYCLIST'S LEGS TO MOVE
WITH A PEDALING ACTION

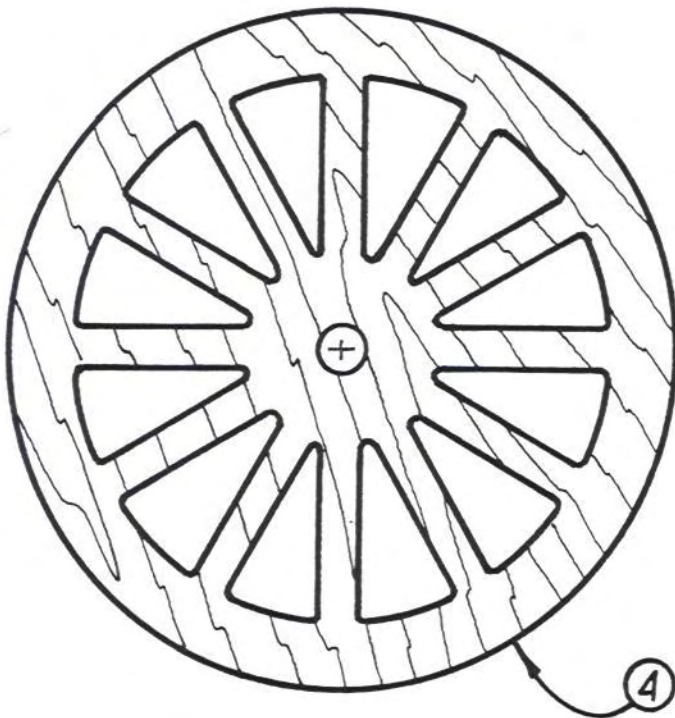
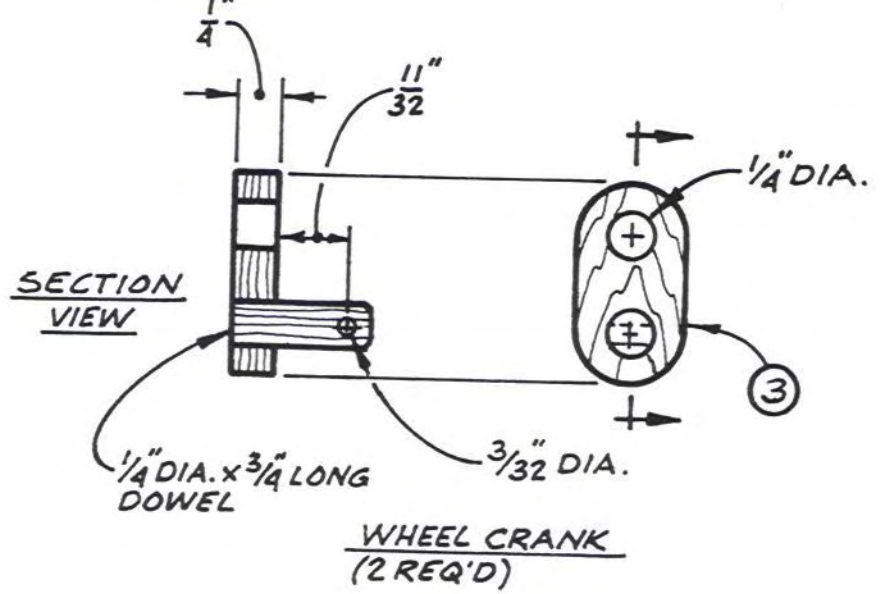




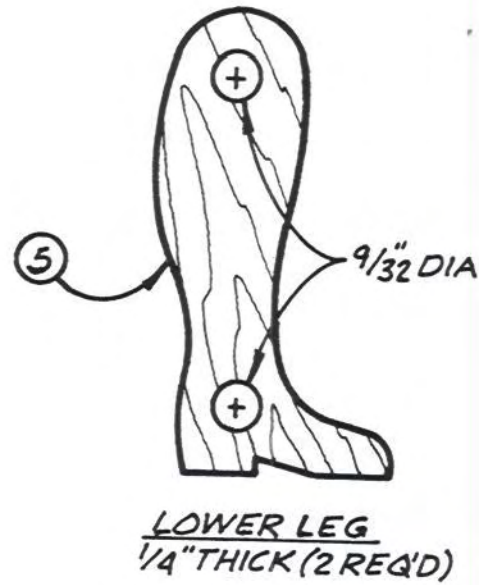
PEDALING CYCLIST

FULL-SIZE PATTERNS



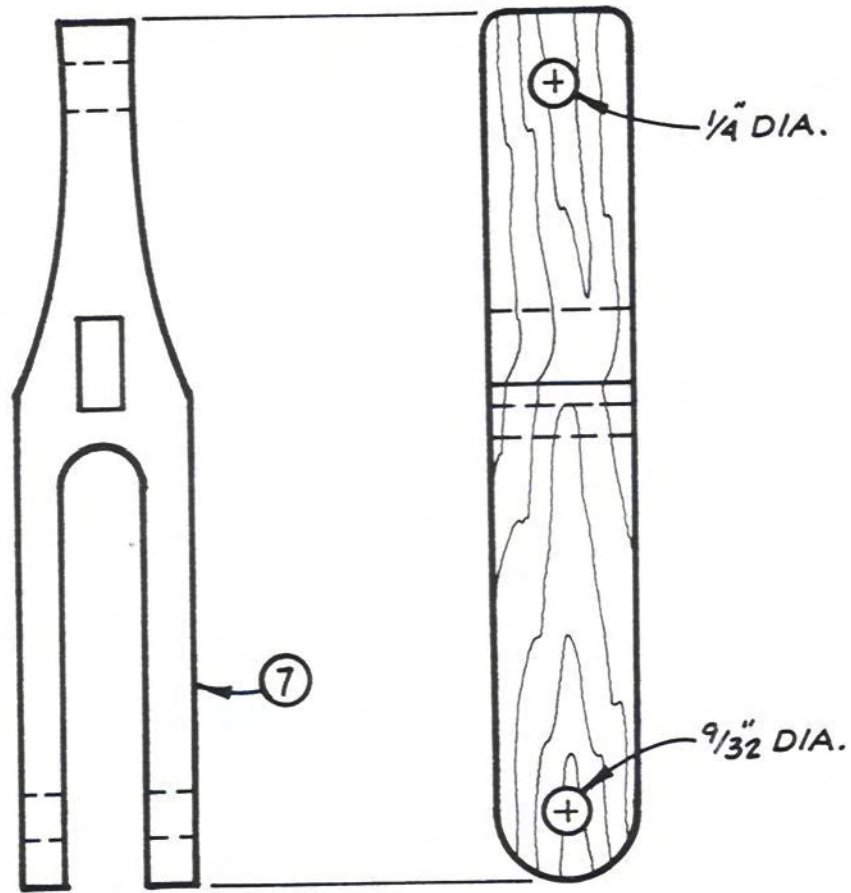


FRONT WHEEL
 $\frac{1}{4}$ " THICK

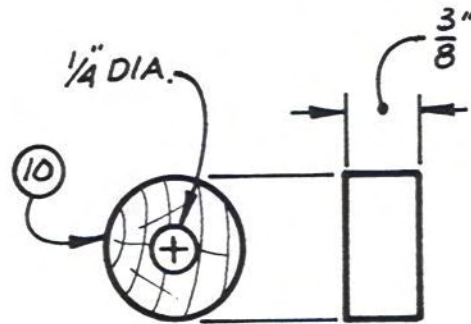


PEDALING CYCLIST

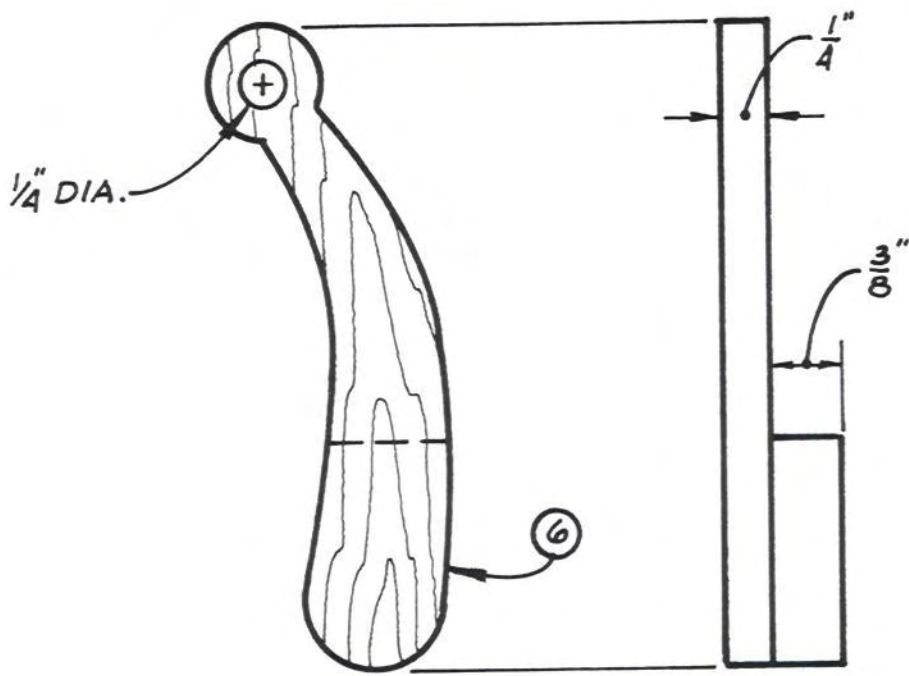
FULL-SIZE PATTERNS



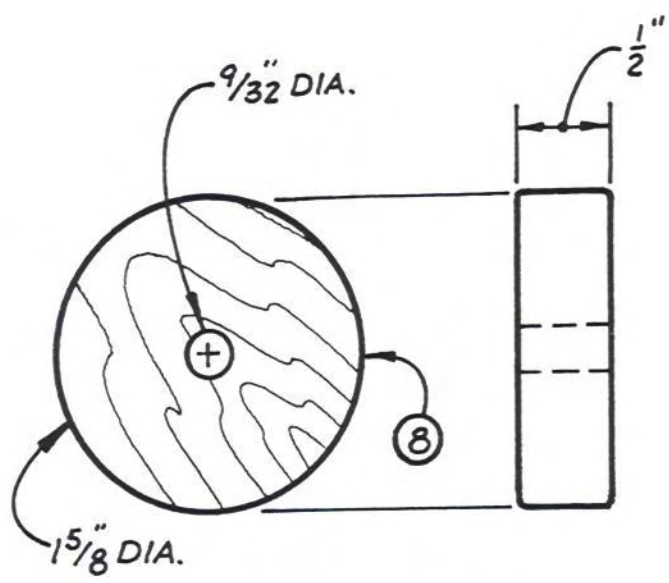
FRONT WHEEL FORK



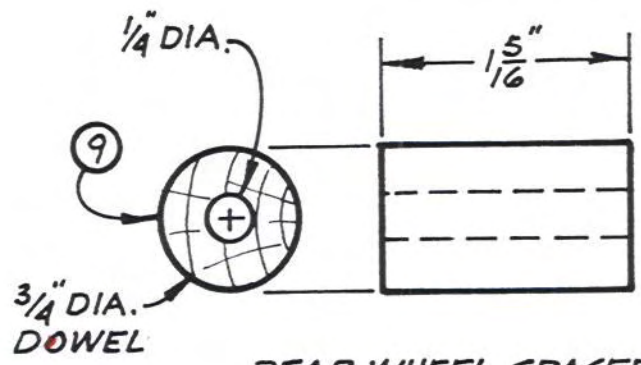
ARM SPACER
(2 REQ'D)



ARM
 RIGHT SHOWN,
 MAKE LEFT OPPOSITE
 HAND



REAR WHEEL
 (2 REQ'D)



REAR WHEEL SPACER
 (2 REQ'D)