

WAGON WITH BLOCKS

Toddlers will have fun wheeling the pine wagon to any play area, then unloading the blocks for stacking. They can put the different-sized blocks back in many different combinations, and, if they wish, they can solve the puzzle by replacing the blocks to show the figure of a clown.

Only butt joints are used in construction so novice woodworkers can make this project. Begin by cutting 1/2-in. pine into 2-in. strips for the sides (A). Make layout lines for the axle holders that protrude below the sides, then cut the sides with a coping saw, or on a band or scroll saw. Bore 5/16-in.-dia. axle holes as shown on the side pattern.

Cut the short sides, then the bottom. Sand the parts smooth (use 100-, then 150-grit sandpaper), then assemble with glue and 1-in. brads. Cut the wheels with a hole saw, then sand. Cut the 1/4-in.-dia. dowel for the axles and put them in place, then glue the wheels to the axles.

Make the blocks from 5/4 pine (1-1/8 in. actual size). Cut two 2-in.-wide strips, and one 2-7/16-in.-wide strip, each 8-7/16 in. long. Next, cut each strip into three pieces according to the lengths shown in the cutting list. Sand and varnish the blocks and the wagon, then paint the blocks using our pattern as a guide, or create your own design.

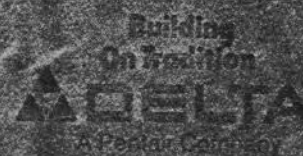
Complete the project with the screw-eyes, yarn and bead. **W**

Feed it just about anything.

10" Motorized Table Saw
A 4" diameter cast iron motor
3 1/2" thick, 2 1/2" at 45°
Cut dados, moulding
and tenons with our
optional accessories.

And the standard features are anything but standard. A cast iron table with steel extension tables. Powerful 15 Amp. motor. And a self-aligning rip-fence with single control handle.

The rugged, versatile 10" Motorized Table Saw from Delta. At only \$329, you get a lot more than you pay for. Call toll-free for the name of your Delta dealer. Delta International Machinery Corp., 800/438-2486 (in PA, 800/438-2487).



Model 34-570

HORTON BRASSES
Nooks Hill Road P.O. Box 120-WB
Cromwell, CT 06416 (203) 635-4400
HORTON BRASSES are authentic
copies of 17th, 18th, 19th & early
20th century pulls.



Manufacturing Fine Hardware
for over 50 years

Send \$3.00 for a catalog

FREE To WOODWORKERS Christmas Projects Catalog

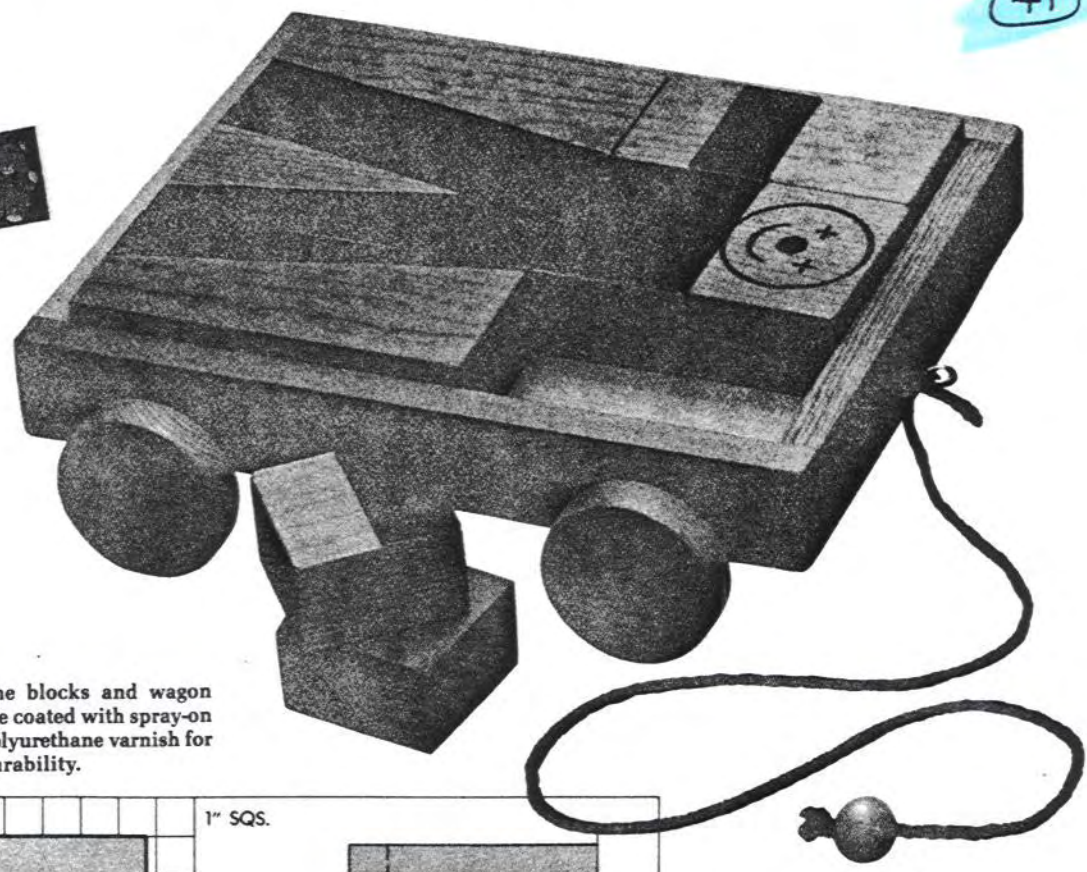


Ideas and plans for dozens of Holiday Projects to make in your shop.

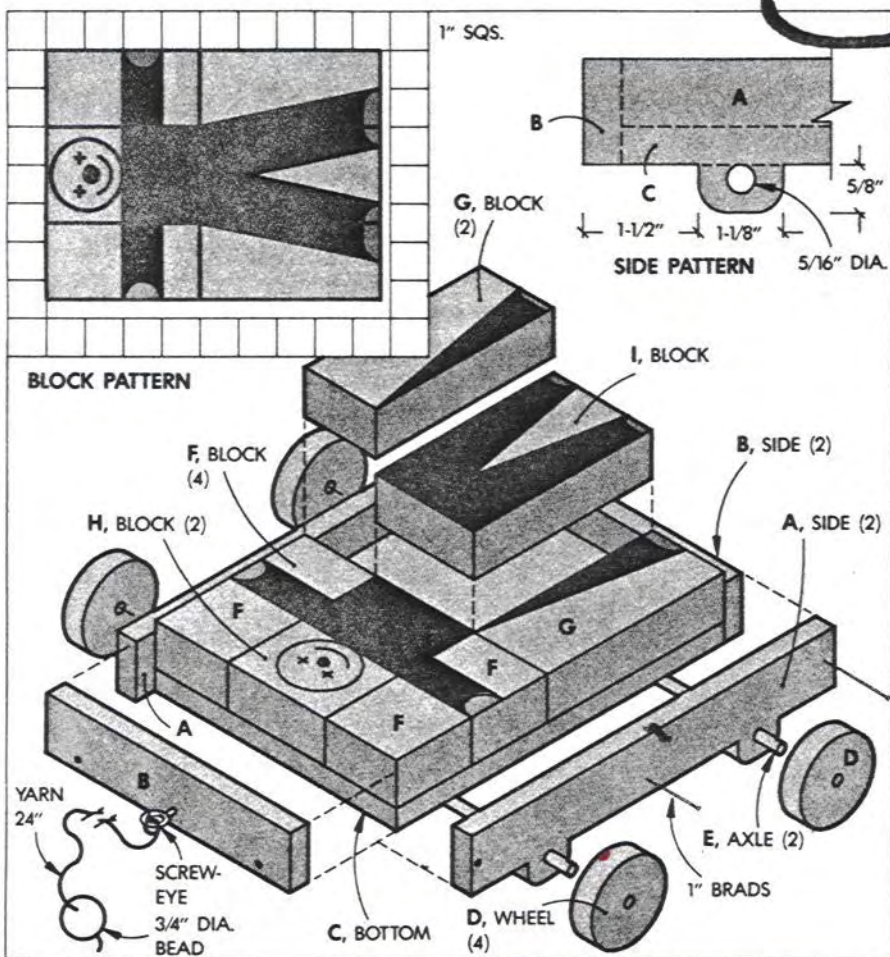
Whether you make projects to resell or to give to friends, you'll love this all new 24 page catalog. Features dozens of project plans and hard-to-get parts. This catalog is a must if your planning a Holiday Boutique.

Send \$1.00 to help cover p & h. to:
Christmas Catalog %Meisel Hdw. Sp.
P.O. Box 70B12C Mound, MN 55364

**GIFTS
TO MAKE**



The blocks and wagon are coated with spray-on polyurethane varnish for durability.



Cutting List: Wagon with Blocks

Key No.	Mat'l., Part	Size
A	2 Pine, Sides	1/2 x 2 x 9-3/4"
B	2 Pine, Sides	1/2 x 1-3/8 x 6-1/2"
C	1 Pine, Bottom	1/2 x 6-1/2 x 8-3/4"
D	4 Pine, Wheels	1/2 x 2-1/8" dia.
E	2 Pine, Axles	1/4" dia. x 8-3/4" dowel
F	4 Pine, Blocks	1-1/8 x 1-7/8 x 2"
G	2 Pine, Blocks	1-1/8 x 2 x 4-7/8"
H	2 Pine, Blocks	1-1/8 x 1-7/8 x 2-7/16"
I	1 Pine, Block	1-1/8 x 2-7/16 x 4-7/8"