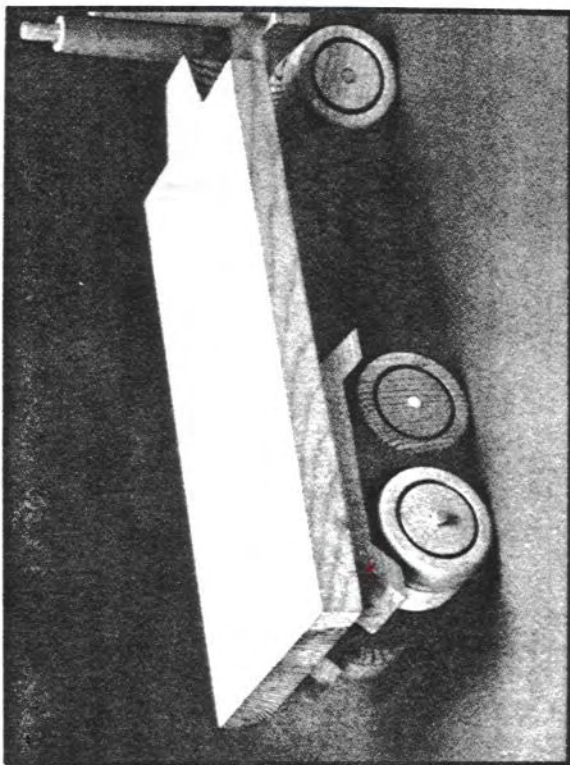
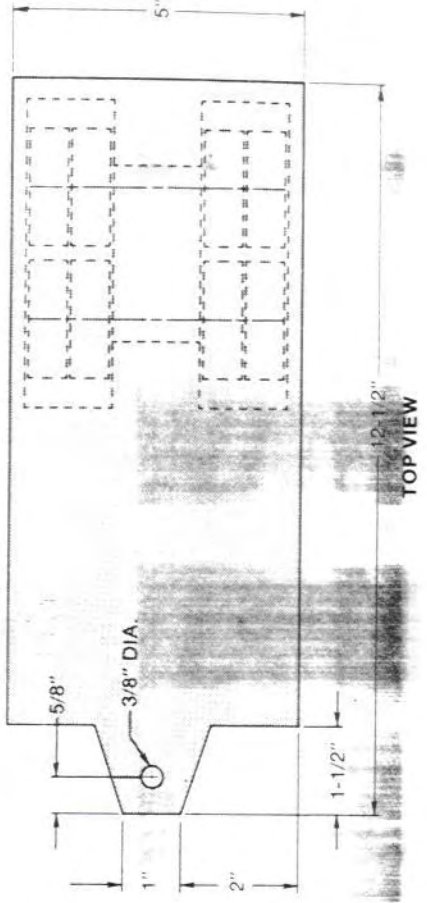
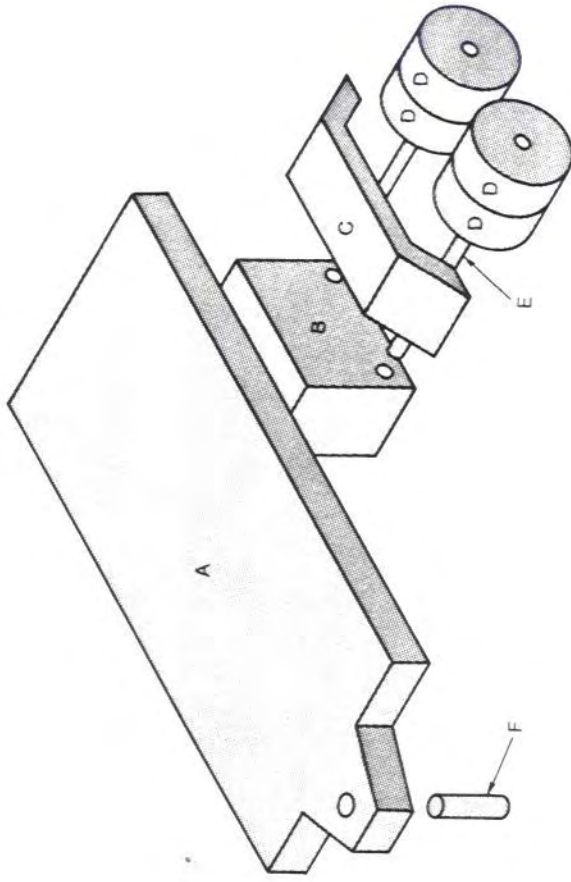
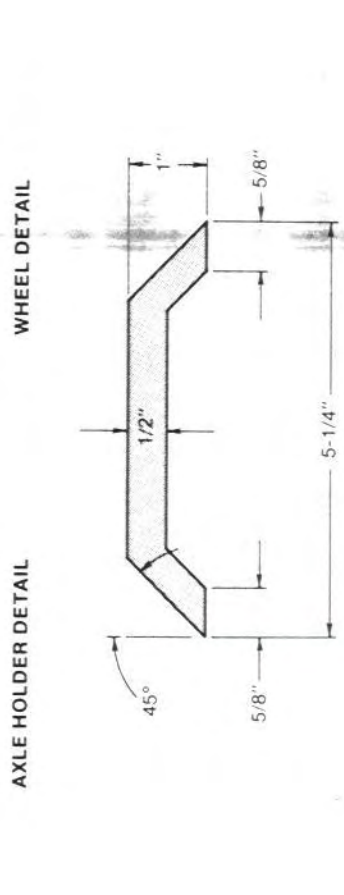
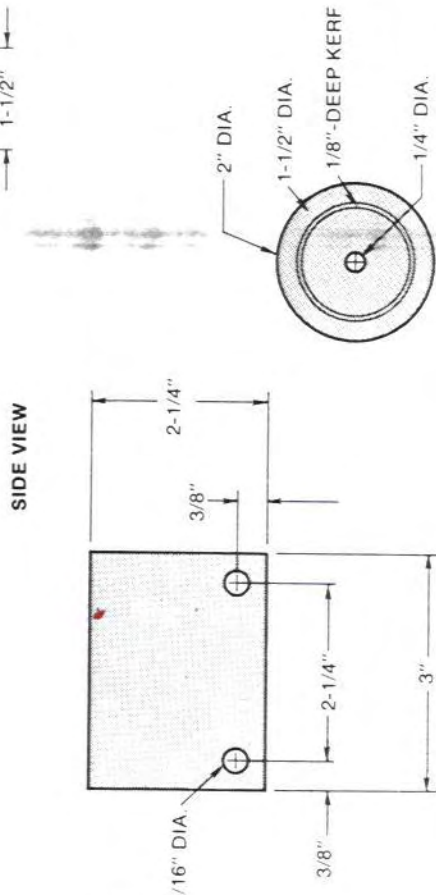
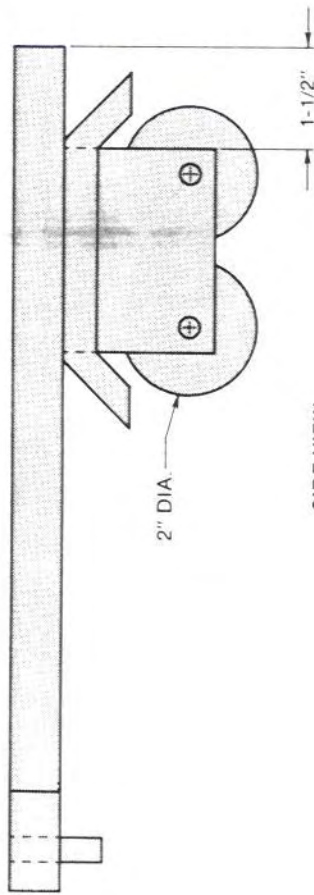


FLATBED TRAILER



This style of trailer leaves most of the designing up to you. It serves as a starting point for many trailers—flatbed, stake, container, tandem, and others. For example, drill holes around the perimeter of the bed, and you've created a stake bed trailer. Or, add a box with a hinged door to get a container trailer. Just let your imagination go with designing.





PROCEDURE

1. FLOOR

Cut all the stock to size according to the materials list. On the front of the stock for the floor (A) draw the contours according to the plans. If you're going to build several trailers, make a template for this contour using stiff cardboard or a piece of hardboard. Cut out the floor contour with a bandsaw or scroll saw. Then drill a 3/8" diameter hole for the coupling pin (F). If you want to make a stake bed, drill 1/4"-deep holes for the stakes around the perimeter of the floor. Use ten stakes—five on each side. Glue the coupling pin (F) and stakes into place.

2. AXLE HOLDER

To make the axle holder (B), glue up three pieces of 3/4" stock to form the 1-1/2" x 2-1/4" x 3" block. Sand the block square, and drill the two 5/16"-diameter axle holes as shown. Glue and clamp the axle holder to the floor.

3. FENDERS

The fenders for the flatbed trailer and tanker trailer are identical in construction. For each fender (C), glue together two pieces of 3/4" stock to form a 1-1/2" x 1" x 5-1/4" block. On the 1" x 5-1/4" side of the block, draw the fender profile that's shown. Next, using a bandsaw or scroll saw,

cut the fenders to shape. Finally, sand the fenders, then glue and clamp them to the floor snug to the axle holder.

4. WHEELS

The wheels (D) are made by a two-step process similar to the other projects. Begin by using a 1-1/2"-diameter hole saw to create a 1/8"-deep kerf for the tire rims. Next, use a 2-1/8"-diameter hole saw to cut out the 2"-diameter wheels. Sand the wheels after you've cut them out; then glue them onto the axles and mount in the axle holder.

The basic flatbed trailer is now complete and ready for loading.

MATERIALS

Part	Description	Pieces	Dimensions
A	Floor	1	(finished dimensions in inches) 3/4 x 5 x 12-1/2
B	Axle holder	1	1-1/2 x 2-1/4 x 3
C	Fenders	2	1-1/2 x 1 x 5-1/4
D	Wheels	8	2 dia. x 3/4
E	Axles	2	1/4 dia. x 4-5/8
F	Coupling pin	1	3/8 dia. x 1-3/8

CONSTRUCTION NOTES

- The floor (A) can be used as a base for most any trailer configuration.
- Fenders could be cut by ripping a 2 x 4 into 1" strips, then cross cutting to length.